

## Garden Window Installation (New Construction)

### Tools / Materials Required

- 16d casing nails or #7 finishing screws
- wood shims
- high quality sealant and caulk gun
- carpenters level
- philips head drill/driver
- hammer / nail set
- tape measure
- drill bits

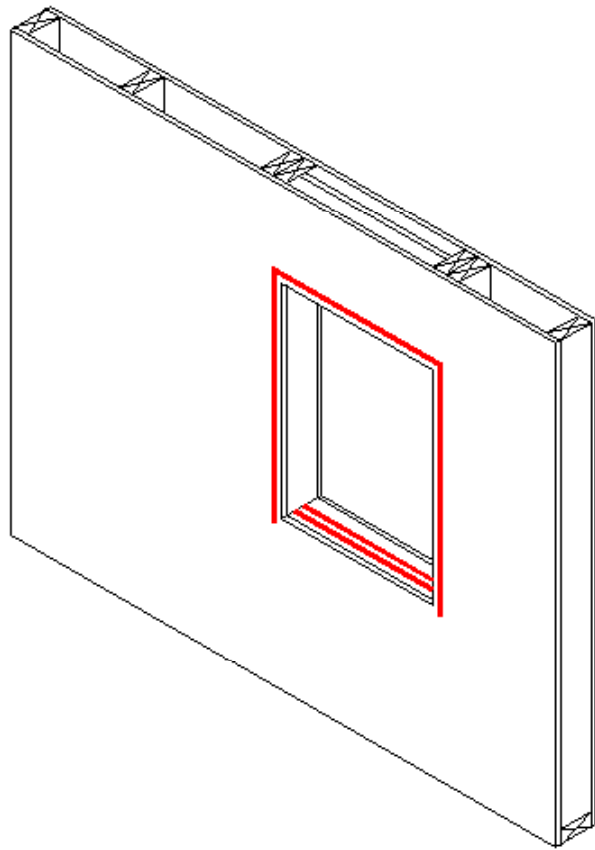
**Read all these instructions before proceeding with installation of garden window**

### Preparing for Installation

- Window needs to be finished (stained/varnished). Determine if you want to finish before or after window is installed
- Verify window and opening sizes
- OD of wood jambs should measure ½” smaller than rough opening dimensions width and height. Measure extension jambs on garden window. This must match wall thickness
- Verify that the window features are correct, and that the window is not damaged
- Clean and inspect opening. Check to see if sill is straight and level. If not, shims will be required to level, as window seat will sit directly on sill.
- Pre-Drill holes through head and jambs. 3 inches from each corner and no more than 9 inches apart. Drill size to be smaller diameter than diameter of fasteners used. (Drawing A & B)
- Installer to confirm that the openings weather barrier is installed correctly as per manufacturers instructions

### Installing Window

- Run 3/16 dia bead of sealant across back side of head flange, passing through center of install holes (Drawing B)
- Run 3/16 dia bead of sealant around two sides and head of opening (1/4 inch in from edge). And 2 beads along top of sill (See pic right and Drawings A,B & C)

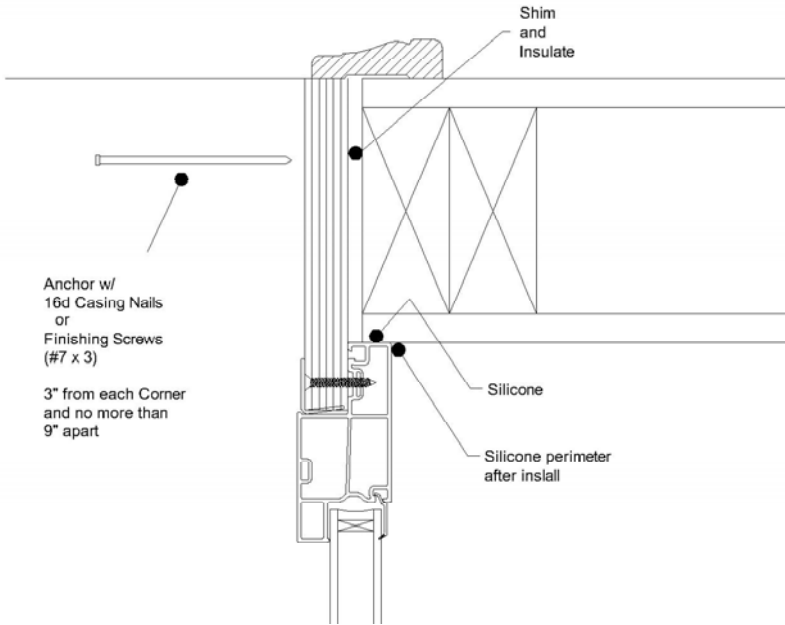


- Tip unit into opening. Outside installer hold unit into place. Other installer to go inside to center unit in opening checking for level, square and plumb. Adjust and shim where necessary. Have outside installer push unit in to further wet out the sealant.

Jamb Detail

Drawing A

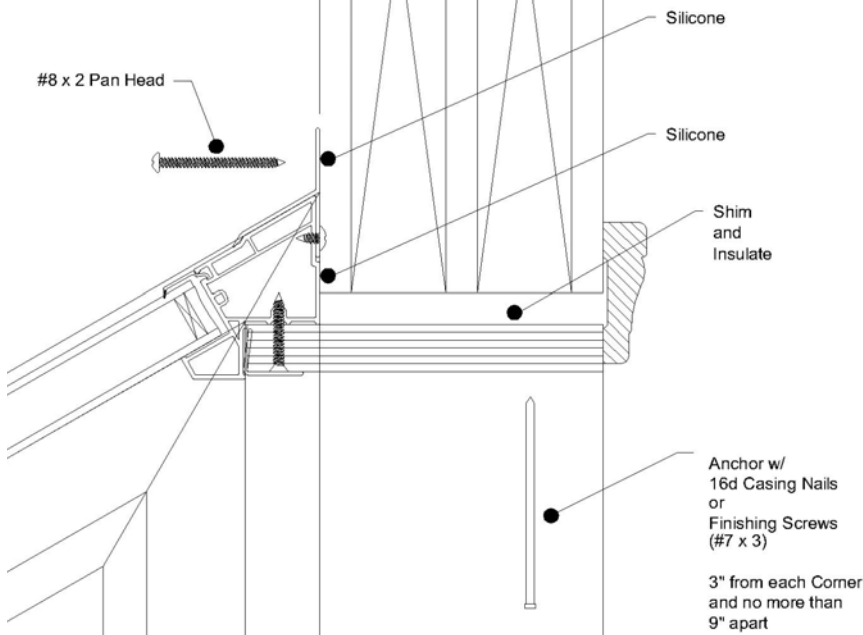
GW Installation



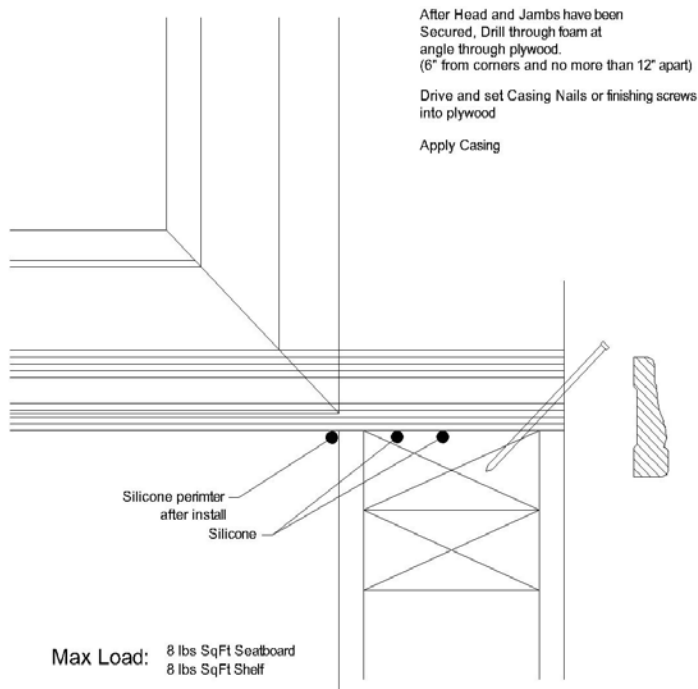
Head Detail

GW Installation

Drawing B



## GW Installation



- with shims behind install holes, drive fasteners through jambes into rough opening (Drawing A & B)
- After head and jambes have been secured, toe nail fasteners through foam on seat board into sill rough opening to secure seat. (Drawing C)
- Run perimeter bead sealant around window
- Insulate between jambes and rough opening (Drawing A & B)
- Apply trim
- Install glass shelf (optional)
- Screw flashing (Drawing B)
- Install siding

6/4/15